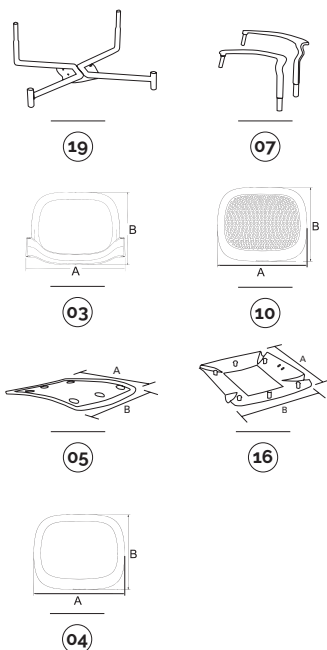


# equity

## bench



main component sizes



### 19 pinko-telaio per panca senza tappi pinko-bench frame caps excluded

code	finishing	q.kit	q.pack	kg.x1	vol.x1
110703-072	● nero/black	x1	80	2,50	mc. 0.005
110704-072	● grigio/grey	x1	80	2,50	mc. 0.005

### 03 equity-schienale portante plastica equity-plastic back bearing

code	finishing	q.kit	q.pack	a	b	kg.x1	vol.x1
132103-016	● nero/black	x1	10	440	360	0,67	mc. 0.0085
132105-016	○ bianco/white	x1	10	440	360	0,67	mc. 0.0085

### 10 equity-pannello schienale forato in plastica (tappizzabile) equity-plastic panel for mesh back (to be upholstered)

code	finishing	q.kit	q.pack	a	b	kg.x1	vol.x1
132103-017	● nero/black	x1	20	425	350	0,45	mc. 0.0045
132106-017	● neutro/neutral	x1	20	425	350	0,45	mc. 0.0045

### 05 pinko-sedile interno da tappezzare pinko-inner seat for upholstery

code	finishing	q.kit	q.pack	a	b	kg.x1	vol.x1
132203-025	● nero/black	x1	10	465	470	0,73	mc. 0.006

### 16 pinko-sedile esterno plastica per girevole e panca pinko-plastic outer seat for swivel and bench

code	finishing	q.kit	q.pack	a	b	kg.x1	vol.x1
132203-027	● nero/black	x1	20	465	470	0,62	mc. 0.007

### 07 equity-coppia braccioli plastica equity-pair of plastic armrest

code	finishing	q.kit	q.pack	a	b	kg.x1	vol.x1
131703-052	● nero/black	x1	10	375	220	0,87	mc. 0.0062
131705-052	○ bianco/white	x1	10	375	220	0,87	mc. 0.0062

### 04 equity-cornice schienale per rete equity-plastic open frame for mesh back

code	finishing	q.kit	q.pack	a	b	kg.x1	vol.x1
132103-018	● nero/black	x1	20	425	350	0,36	mc. 0.0045
132105-082	○ bianco/white	x1	20	425	350	0,36	mc. 0.0045

for the bench components, see page 201

OPTIONAL  
bench connector

E-USB **NEW**  
bench plug



JIM **NEW**  
bench leg

APOLL  
bench arm



plastic

90GM  
bench leg

90GF  
bench leg

100GM  
bench leg

200GM  
bench leg

PIONEER  
bench arm



metal

CUT  
bench leg

SLIM  
bench leg

CUT  
bench arm

SLIM  
bench arm



aluminium